

CVT-3002FSMSFP-DR Series

Multiple model Fiber extension by Dual Rate



100/1000BASE-X SFP Multimode to
100/1000BASE-X SFP Single-Mode Standalone
Converter

Features

- **The World-wide Effortless and Reliable Media Converter**
The almost “set-it-and-forget-it” media converter is ideal for minimizing network implementation and maintenance efforts
- **9K Bytes Jumbo Frame Size**
Support jumbo frame size 9K bytes to ease the network traffic loading and facilitate IPTV service
- **Link Alarm**
When either fiber port is down during operation, the other port will be automatically turned off to alert the user
- **Fully Compatible with CVT-RACK-16**
Budget limited solution for CVT-RACK-16 to mix installation with CTS’s non-managed converter
- **Dual Rate**
Dual Rate media converter supports both 100Mbps and 1000Mbps speed. With this feature in one device, users can save the cost when upgrading network from Fast Ethernet to Gigabit Ethernet infrastructure

Target Applications

- **FTTX implementations. Point-to-point fiber connection for long distance**

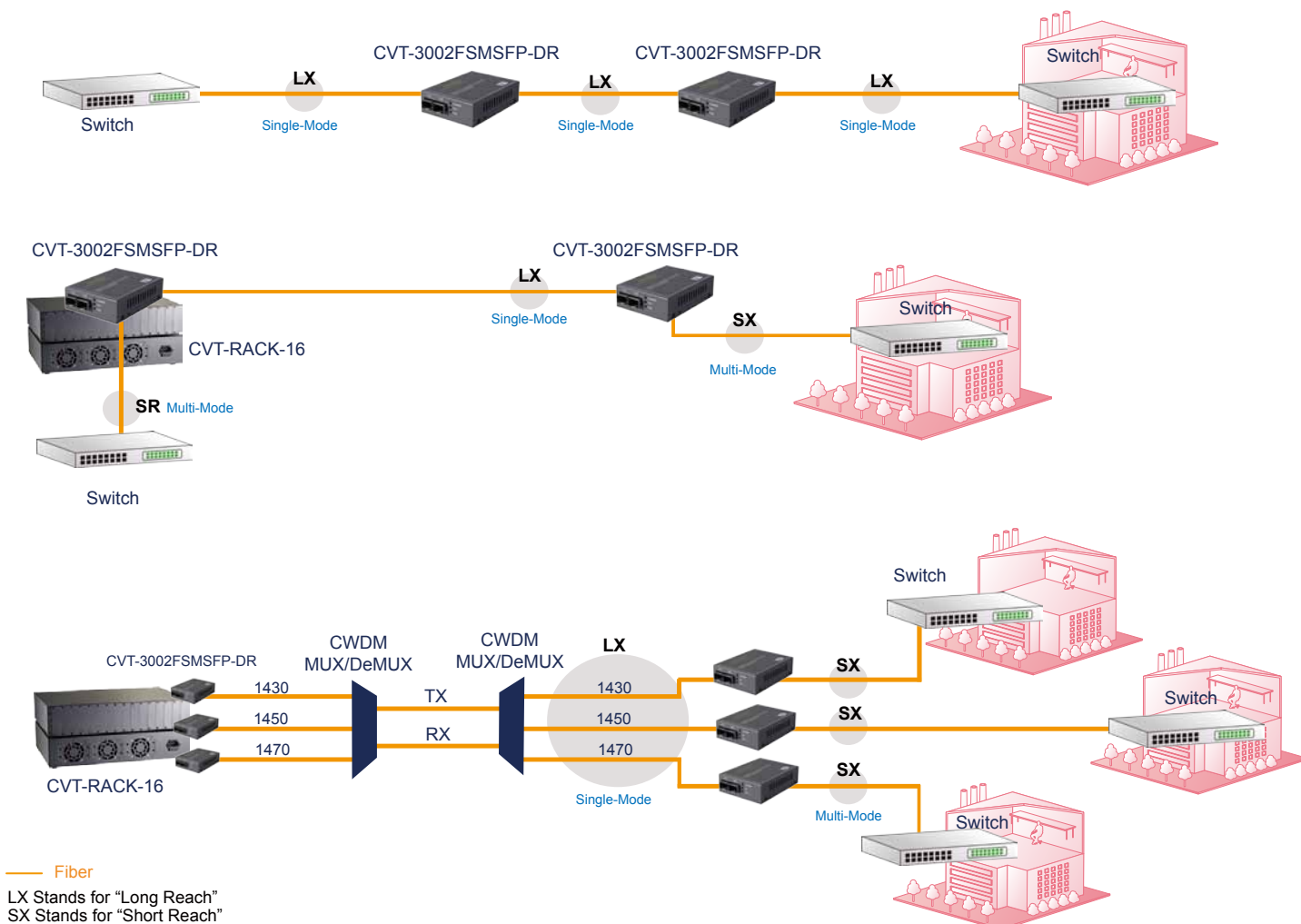
Description

Connection Technology Systems (CTS) CVT-3002FSMSFP-DR media converter is the 100/1000Base-X to 100/1000Base-X media converter and is fully compliant with IEEE 802.3u & 802.3z standards.

Besides, the installation and operation are simple and straightforward. The operation status can be monitored through a set of diagnostic LED indicators on the front panel. It is especially designed for network operators, metro Ethernet providers, enterprises, SMB, who have the need of implementing fiber optical Ethernet networks over long distance, for FTTX solutions, and are looking for an effortless and reliable 100Mbps and 1000Mbps media converter.

With the forwarding capacity at the full wire speed, the CVT-3002FSMSFP-DR media converter is the most optimized and simplest solution for dispersed network that media conversion is required between multi-mode fiber segments separated due to geographical limit.

Application Diagram



Specification

Interface

F/O Port
100/1000Base-X SFP Slot x 2

Standards

IEEE 802.3u 100Base-TX/FX
IEEE 802.3z 1000Base-X

H/W Specification

Support Auto & Force mode configuration

LED

Power, FO1, FO2

Ethernet Features

Support 9K Bytes jumbo frame

Other Features

Rear Panel DIP Switch
Support slide-in Converter Center
Support Link Alarm

Power Requirement

Power adaptor
- AC input: 100VAC~240VAC
- Frequency range: 50~60Hz
- DC output: 5V, 2.0A
Power Consumption:
AC 110V: 2.5W
DC 5V: 1.8W

Environmental Condition

Operation: 0°C ~ 50°C
Storage Temperature: -20°C ~ 60°C
Humidity: 5% ~ 90%, non-condensing

Dimension & Weight

Size: 71 x 94 x 26 mm (WxDxH)
Shipping Weight: 0.44KG

EMC/Safety

FCC Class A, CE
* For further reports, please contact us for update

Order Information

CVT-3002FSMSFP-DR Series

MODEL	FIBER PORT					TP PORT	
	Speed	Fiber Type	Connector	Distance	Ports	Speed	Ports
CVT-3002FSMSFP-DR	100/1000	SFP	-	-	2	-	-

SFP-31-DR Series

MODEL	FIBER PORT				
	Speed	Type	Connector	Distance	Wavelength
SFP-31FC-DR	100Mbps/1000Mbps	MM	LC	2KM/550M	1310nm
SFP-31FC(SM-10)-DR	100Mbps/1000Mbps	SM	LC	10KM	1310nm
SFP-31W2A(SM-10)-DR	100Mbps/1000Mbps	WDM	LC	10KM	TX:1310nm RX:1550nm
SFP-31W2B(SM-10)-DR	100Mbps/1000Mbps	WDM	LC	10KM	TX:1550nm RX:1310nm

SFP-31 Series

MODEL	FIBER PORT				
	Speed	Type	Connector	Distance	Wavelength
SFP-31FC	1000Mbps	MM	LC	550M	850nm
SFP-31FC(SM-10/20/40/50/80/120)	1000Mbps	SM	LC	10/20/40/50/80/120KM	1310nm/1310nm/1310nm/1550nm/1550nm/1550nm
SFP-31W2A(SM-10/20/40/80)	1000Mbps	WDM	LC	10/20/40/80KM	TX:1310nm/1310nm/1310nm/1490nm RX:1550nm/1550nm/1550nm/1570nm
SFP-31W2B(SM-10/20/40/80)	1000Mbps	WDM	LC	10/20/40/80KM	TX:1550nm/1550nm/1550nm/1570nm RX:1310nm/1310nm/1310nm/1490nm
SFP-31FC-C09	1000Mbps	CWDM	LC	80KM	1430nm
SFP-31FC-C10	1000Mbps	CWDM	LC	80KM	1450nm
SFP-31FC-C11	1000Mbps	CWDM	LC	80KM	1470nm
SFP-31FC-C12	1000Mbps	CWDM	LC	80KM	1490nm
SFP-31FC-C13	1000Mbps	CWDM	LC	80KM	1510nm
SFP-31FC-C14	1000Mbps	CWDM	LC	80KM	1530nm
SFP-31FC-C15	1000Mbps	CWDM	LC	80KM	1550nm
SFP-31FC-C16	1000Mbps	CWDM	LC	80KM	1570nm
SFP-31FC-C17	1000Mbps	CWDM	LC	80KM	1590nm
SFP-31FC-C18	1000Mbps	CWDM	LC	80KM	1610nm

SFP-21 Series

MODEL	FIBER PORT				
	Speed	Type	Connector	Distance	Wavelength
SFP-21FC	100Mbps	MM	LC	2KM	1310nm
SFP-21FC(SM-20/40/80)	100Mbps	SM	LC	20/40/80KM	1310nm/1310nm/1550nm
SFP-21W2A(SM-20/40/80)	100Mbps	WDM	LC	20/40/80KM	TX:1310nm/1310nm/1490nm RX:1510nm/1510nm/1570nm
SFP-21W2B(SM-20/40/80)	100Mbps	WDM	LC	20/40/80KM	TX:1510nm/1510nm/1570nm RX:1310nm/1310nm/1490nm
SFP-21W2A(SM-20)SC	100Mbps	WDM	SC	20KM	TX:1310nm RX:1550nm
SFP-21W2B(SM-20)SC	100Mbps	WDM	SC	20KM	TX:1550nm RX:1310nm
SFP-21FC-C09	100Mbps	CWDM	LC	80KM	1430nm
SFP-21FC-C10	100Mbps	CWDM	LC	80KM	1450nm
SFP-21FC-C11	100Mbps	CWDM	LC	80KM	1470nm
SFP-21FC-C12	100Mbps	CWDM	LC	80KM	1490nm
SFP-21FC-C13	100Mbps	CWDM	LC	80KM	1510nm
SFP-21FC-C14	100Mbps	CWDM	LC	80KM	1530nm
SFP-21FC-C15	100Mbps	CWDM	LC	80KM	1550nm
SFP-21FC-C16	100Mbps	CWDM	LC	80KM	1570nm
SFP-21FC-C17	100Mbps	CWDM	LC	80KM	1590nm
SFP-21FC-C18	100Mbps	CWDM	LC	80KM	1610nm