

HL3001

Single, Dual, RGB or RGBW Repeater / Amplifier 480W (Max 120W Per CH)



For extending Single, Dual, RGB & RGBW Circuits

SUPPLY VOLTAGE	12 or 24V
MAX OUTPUT CURRENT	5A/CH x 4CH
MAX OUTPUT POWER AT 24V	4 x 120W
AMBIENT TEMP	-20.. +50°C
DIMENSIONS	L178 x W46 x H22mm

ORDER CODE

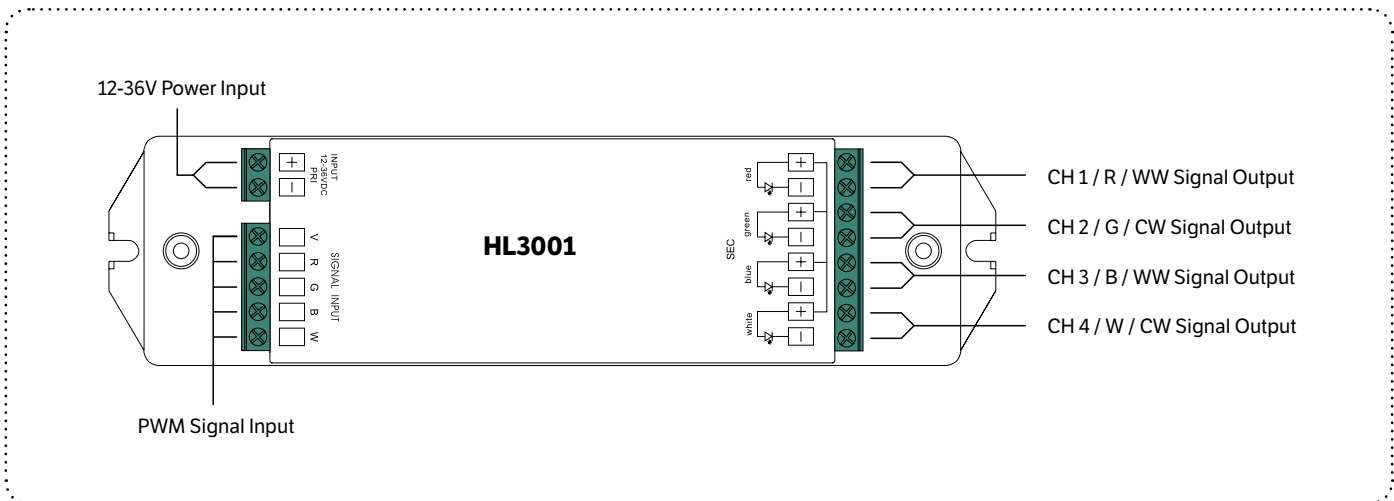
DESCRIPTION	CODE
LED Repeater / Amplifier	HL3001



COMPATIBLE WITH

DESCRIPTION
HL1009 Series RF Receivers, Halcyon 12V or 24V LED Lighting, Halcyon 12V or 24V Constant Voltage Control Gear

PRODUCT DIAGRAM



PRODUCT NOTES

HL3001 REPEATER / AMPLIFIER FUNCTION

- HL3001 Repeater / Amplifier receives a PWM signal on primary side via the HL1009 RF receiver. (see diagrams next page)
- Repeater / Amplifiers are powered by an independent power source to the HL1009 receiver (see diagrams next page)
- When used in conjunction with Repeaters / Receivers; HL1009 only needs a low wattage driver to power the receiver to send PWM signal to primary side of Repeaters / Receivers. Recommended driver wattage 40W. (see diagrams next page)

WIRING EXAMPLE

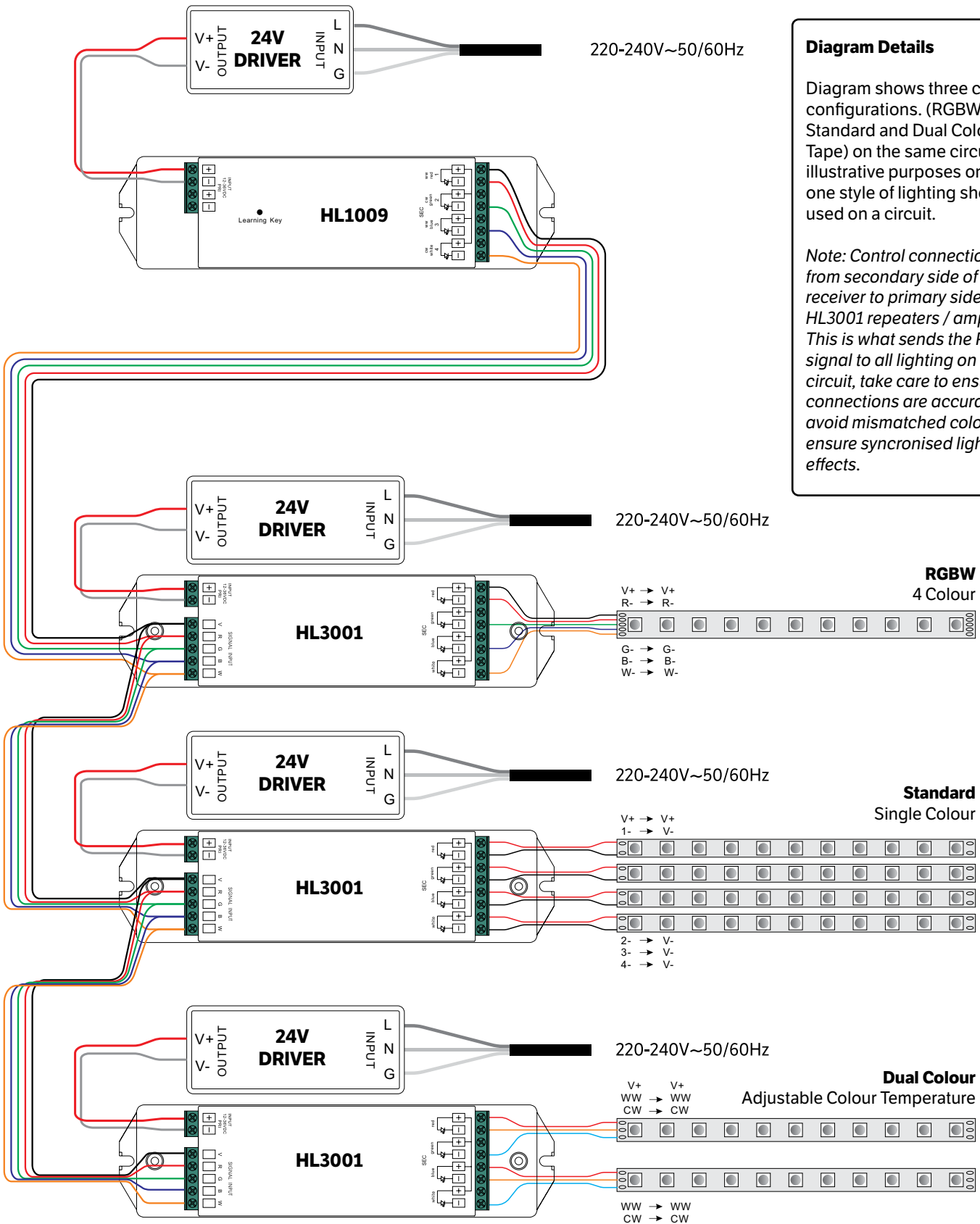


Diagram Details

Diagram shows three common configurations. (RGBW, Standard and Dual Colour Tape) on the same circuit for illustrative purposes only. Only one style of lighting should be used on a circuit.

Note: Control connection loops from secondary side of HL1009 receiver to primary side of HL3001 repeaters / amplifiers. This is what sends the PWM signal to all lighting on the circuit, take care to ensure all connections are accurate to avoid mismatched colours and ensure synchronised lighting effects.