

# PHILIPS

REAL  
PROs  
REAL  
QUALITY

## SmartBright

 Trusted

 Reliable

 Great value



# SmartBright Solar Floodlight

Real professionals choose **Philips SmartBright** for their everyday lighting installations.

## Trusted performance, every day.

SmartBright Solar LED Floodlight delivers high lumen efficacy, with long lifetime and reliable design.

The SmartBright Solar floodlighting DIY kit comes with a built-in lithium ferro phosphate battery a split folding solar panel, remote controller, and installation accessories. Four lumen packages are available 1000,2000,3000 & 4800 lumens.

## Features & Benefits

- ✓ High Efficiency, up to 100lm/W
- ✓ Long lifetime, 30,000hrs and 2yr warranty
- ✓ Robust design, diecast housing, and front glass
- ✓ Infra-Red remote controller that can configure and dim the luminaires with three pre-sets- low, med, high.

## Applications

- ✓ Outdoor applications where electrical supply is difficult to get to or not possible.
- ✓ Cow sheds
- ✓ Bush huts
- ✓ General Area lighting

## Product highlights

IP66

IK07

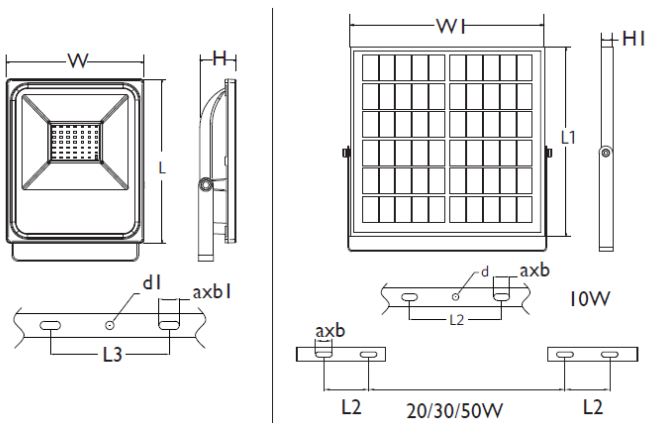
100lm/W

2 years  
warranty  
30,000 hrs

## Product Data

		SmartBright G2 LED Floodlight			
Rating		10W	20W	30W	48W
Lumen (lm)		1000 lm	2000 lm	3000 lm	4,800 lm
Beam Angle		Symmetrical Wide Beam			
CCT		5700K			
CRI		> 70			
IP/IK Rating		IP66 / IK07			
Lifetime		30,000 hrs L70 / 2yr warranty			
Operating Temperature		0°C to +40°C			
Connection		1.5m flying lead (total), Additional 10m ext lead available on request			
Material & Finish		<b>Housing:</b> Die-cast aluminium, powder coated dark grey (RAL9007) <b>Not suitable for marine environments</b> <b>Front cover:</b> Tempered glass <b>Bracket:</b> Steel, powder coated dark grey (RAL9007) <b>Not Suitable for marine environments</b> <b>Battery:</b> Lithium Ferro Phosphate <b>Panel:</b> Polycrystalline Silicon Photo Voltaic			
Weight	Luminaire Panel	1.5kg 1.2kg	2.5kg 2.6kg	4.7kg 3.0kg	7.4kg 4.6kg

## Dimensions



Luminaire	Dimension (mm)		
	W	L	H
10W	146	206	37
20W	203	297	38
30W	214	327	55
48W	236	360	58
Panel	W1	L1	H1
10W	250	340	20
20W	602	340	20
30W	682	350	20
48W	702	540	20

## Ordering Information

Order Code	Rating	CCT	Description
911401826702	10W	CW	BVP080 LED10/757 060
911401826602	20W	CW	BVP080 LED20/757 100
911401826502	30W	CW	BVP080 LED30/757 150
911401826802	48W	CW	BVP080 LED48/757 200
911401835282	N/A	N/A	5m/1mm2 flood light PV extension cable
911401835382	N/A	N/A	10m/1mm2 flood light PV extension cable